

**2097/30**

Mounting	: Suspension
Type of ceiling pendant	: Suspension cable
Lamps description	: 30 x MAX 15W E14 IBP
Environment	: Indoor
Finish	: Chrome, Brass
Technical description	: Suspension lamp providing diffused light. Steel central structure with brass arms, both available either chromium-plated or gilded. Steel ceiling fitting and rose.

**ELECTRICAL**

Emergency	: Without
Voltage (V)	: 220/240

**PHYSICAL**

Supply	: Terminal block
Cord length(mm)	: 2800
Construction material	: Brass or Steel
Weight (kg)	: 5,1



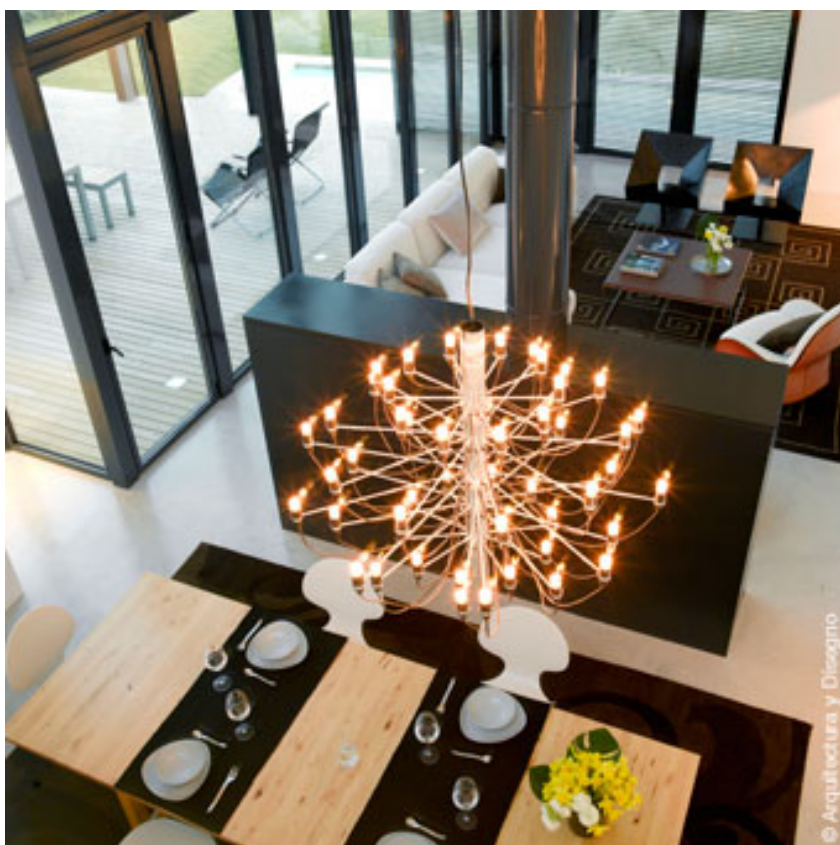
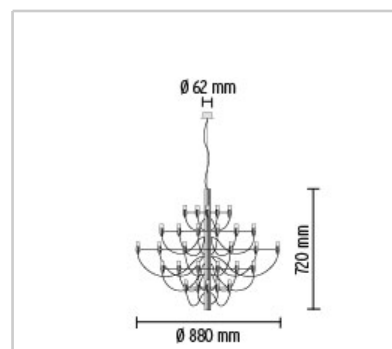
**2097/30**  
design by Gino Sarfatti

Suspension lamp providing diffused light

**Reference Code**

- **A1400057**      **Chrome**
- **A1400059**      **Brass**

**Certifications**



**2097/50**

Mounting	: Suspension
Type of ceiling pendant	: Suspension cable
Lamps description	: 50 x MAX 15W E14 IBP
Environment	: Indoor
Finish	: Chrome, Brass
Technical description	: Suspension lamp providing diffused light. Steel central structure with brass arms, both available either chromium-plated or gilded. Steel ceiling fitting and rose.

**ELECTRICAL**

Emergency	: Without
Voltage (V)	: 220/240

**PHYSICAL**

Supply	: Terminal block
Cord length(mm)	: 2800
Construction material	: Brass or Steel
Weight (kg)	: 9,2



**2097/50**  
design by Gino Sarfatti

Suspension lamp providing diffused light

**Reference Code**

- **A1500057** Chrome
- **A1500059** Brass

**Certifications**

