

### ARCHIMOON K BASE

Mounting	: Base
Lamps description	: 1 x MAX 40W G9 HSGS/F
Environment	: Indoor
Finish	: Matt silver
Technical description	: Task lamp providing direct and diffused light. Acid-etched pressed borosilicate glass internal diffuser. Injection-molded PC (polycarbonate) diffuser, vacuum-aluminized inside. Gray painted die-cast aluminum diffuser support. Gray painted assembly composed of extruded aluminum arms, steel tie rods, stainless steel springs, and 50% fiberglass reinforced, injection-molded polyamide joints. Gray painted die-cast Zamak BASE.

### ELECTRICAL

Emergency	: Without
Switching	: The ON/OFF switch is a small, sleek stem of injection-molded transparent polycarbonate positioned at the base of the stem
Voltage (V)	: 220/240

### PHYSICAL

Supply	: Power cord
Cord length(mm)	: 2030
Construction material	: Aluminum or Injection-molded polycarbonate
Weight (kg)	: 5,35
Minimum distance from illuminated object (mm)	: 100



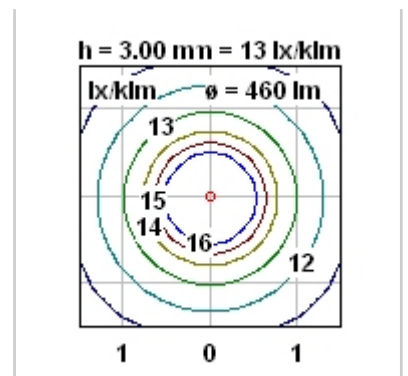
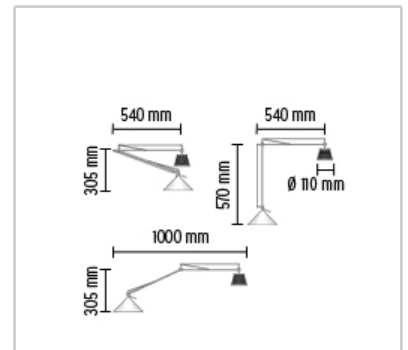
**Archimoon K Base**  
design by Philippe Starck

Task lamp providing direct and diffused light

### Reference Code

- F0369000      **Transparent**
- F0369035      **Red**

### Certifications



### ARCHIMOON K CLAMP

Mounting	: Clamp
Lamps description	: 1 x MAX 40W G9 HSGS/F
Environment	: Indoor
Finish	: Matt silver
Technical description	: Task lamp providing direct and diffused light. Acid-etched pressed borosilicate glass internal diffuser. Injection-molded PC (polycarbonate) diffuser, vacuum-aluminized inside. Gray painted die-cast aluminum diffuser support. Gray painted assembly composed of extruded aluminum arms, steel tie rods, stainless steel springs, and 50% fiberglass reinforced, injection-molded polyamide joints. Version with gray painted die-cast aluminum CLAMP.

### ELECTRICAL

Emergency	: Without
Switching	: The ON/OFF switch is a small, sleek stem of injection-molded transparent polycarbonate positioned at the base of the stem
Voltage (V)	: 220/240

### PHYSICAL

Supply	: Power cord
Cord length(mm)	: 2030
Construction material	: Aluminum or Injection-molded polycarbonate
Weight (kg)	: 0,9
Minimum distance from illuminated object (mm)	: 100



**Archimoon K Clamp**  
design by Philippe Starck

Task lamp providing direct and diffused light

### Reference Code

- F0367000      **Transparent**
- F0367035      **Red**

### Certifications

